

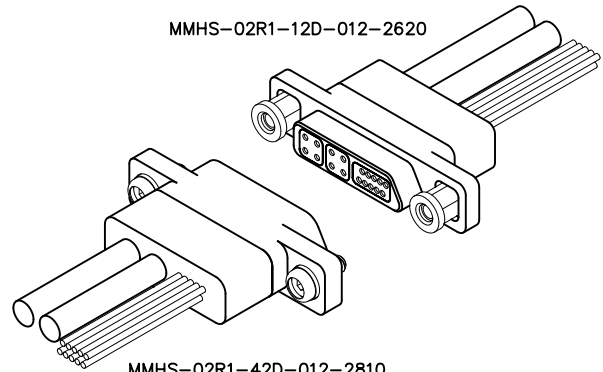


# Rugged Cable I/O

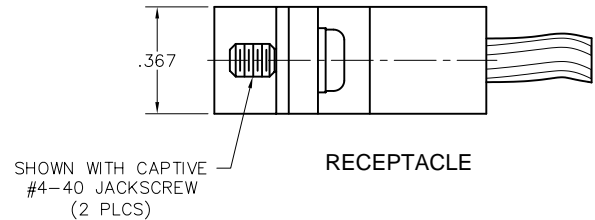
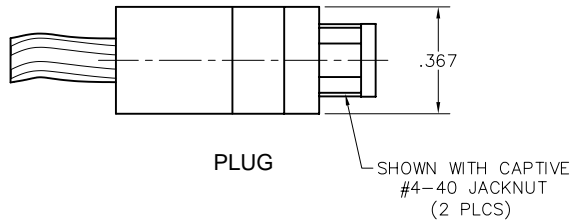
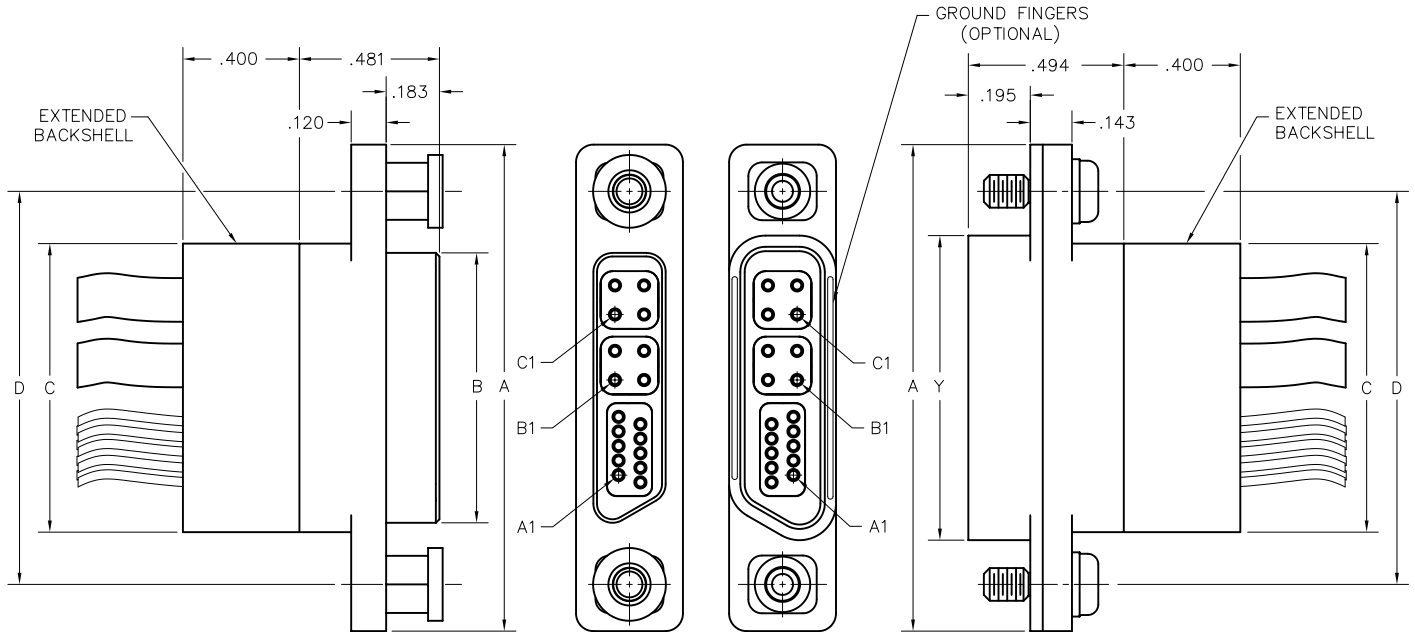
1 thru 10 High Speed Modules  
0 thru 50 Signal Contacts

**MMHS**

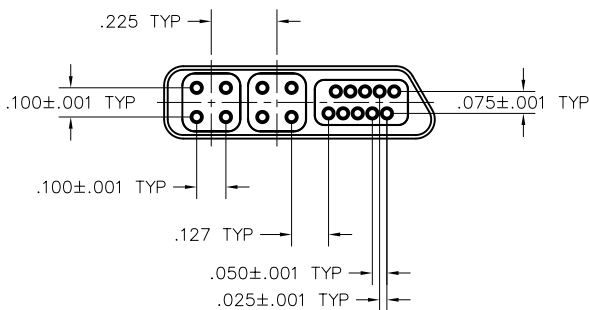
MMHS-02R1-12D-012-2620



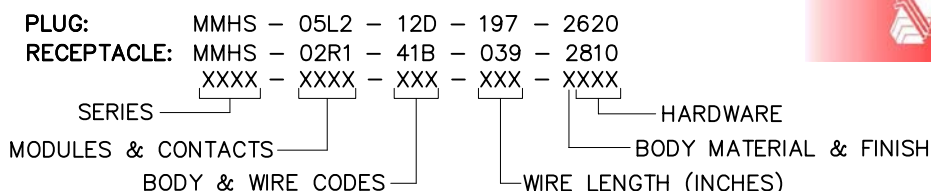
MMHS-02R1-42D-012-2810



### INTERFACE DIMENSIONS



DIMENSIONS	
A	BODY LENGTH PER TABLE CALCULATION (SEE PAGE 6)
B	"A" MINUS 0.744
C	"A" MINUS 0.680
D	"A" MINUS 0.320
Y	"A" MINUS 0.624



## PLUG

### SERIES

MMHS HIGH SPEED Rugged Metal I/O Connector  
(MMHS mates with MMHS, MKHS, MLHS, MJHS receptacles)

### HIGH SPEED MODULES

- 01 1 High Speed Module
- 02 2 High Speed Modules
- 03 3 High Speed Modules
- 04 4 High Speed Modules
- 05 5 High Speed Modules (Max Signal Count 40)
- 06 6 High Speed Modules (Max Signal Count 30)
- 07 7 High Speed Modules (Max Signal Count 20)
- 08 8 High Speed Modules (Max Signal Count 10)
- 09 9 High Speed Modules (Max Signal Count 10)
- 0A 10 High Speed Modules (No Signals)

### SIGNAL CONTACTS\*

- L0 Left Side Key - No Signal Contacts
- L1 Left Side Key - 10 Signal Contacts
- L2 Left Side Key - 20 Signal Contacts
- L3 Left Side Key - 30 Signal Contacts
- L4 Left Side Key - 40 Signal Contacts
- L5 Left Side Key - 50 Signal Contacts
- R0 Right Side Key - No Signal Contacts
- R1 Right Side Key - 10 Signal Contacts
- R2 Right Side Key - 20 Signal Contacts
- R3 Right Side Key - 30 Signal Contacts
- R4 Right Side Key - 40 Signal Contacts
- R5 Right Side Key - 50 Signal Contacts

### BODY STYLE

- 1 Plug

### WIRE TYPE & GAUGE - HIGH SPEED

- X See Wire Code Page for High Speed Cable

### WIRE TYPE & GAUGE - SIGNALS

- 0 No Signal Contacts
- X See Wire Code Page

### WIRE TYPE & GAUGE - SIGNALS

Wire Length in Inches - (Uses 3 digits)  
(Example: 018 = 18 Inches) Minimum 3 Inches

### BODY PLATING (LCP INSULATORS)

- 1 Electroless Nickel Plated Aluminum Shell - RoHS Compliant
- 2 Electroless Nickel Plated Aluminum Shell
- 3 Electrodeposited Cadmium Plated Aluminum Shell
- 5 Gold Plated Aluminum Shell - RoHS Compliant
- 6 Gold Plated Aluminum Shell

### HARDWARE

- 000 No Hardware
- 620 Two Fixed Jacknuts - Captivated \*\*
- 810 Two Turning Jackscrews, Allen Head, Captivated \*\*
- NXX Keying Jackpost Hardware, See Options \*\*\*
- JXX Keying Jackscrew Hardware, See Options \*\*\*

#### NOTES:

- 1. All high-speed receptacles have fluoropolymer interfacial seals.
- = Option not RoHS compliant in plating and/or internal terminations.
- \* = Left and right key is determined by looking at the PLUG interface with the LONG SIDE downward. The key is the angled side of the interface.
- \*\* = Captivated hardware is factory installed and non-removable.
- \*\*\* = Refer to catalog Page 29 for keying options.

## RECEPTACLE

### SERIES

MMHS HIGH SPEED Rugged Metal I/O Connector  
(MMHS mates with MMHS, MKHS, MLHS, MJHS plugs)

### HIGH SPEED MODULES

- 01 1 High Speed Module
- 02 2 High Speed Modules
- 03 3 High Speed Modules
- 04 4 High Speed Modules
- 05 5 High Speed Modules (Max Signal Count 40)
- 06 6 High Speed Modules (Max Signal Count 30)
- 07 7 High Speed Modules (Max Signal Count 20)
- 08 8 High Speed Modules (Max Signal Count 10)
- 09 9 High Speed Modules (Max Signal Count 10)
- 0A 10 High Speed Modules (No Signals)

### SIGNAL CONTACTS\*

- L0 Left Side Key - No Signal Contacts
- L1 Left Side Key - 10 Signal Contacts
- L2 Left Side Key - 20 Signal Contacts
- L3 Left Side Key - 30 Signal Contacts
- L4 Left Side Key - 40 Signal Contacts
- L5 Left Side Key - 50 Signal Contacts
- R0 Right Side Key - No Signal Contacts
- R1 Right Side Key - 10 Signal Contacts
- R2 Right Side Key - 20 Signal Contacts
- R3 Right Side Key - 30 Signal Contacts
- R4 Right Side Key - 40 Signal Contacts
- R5 Right Side Key - 50 Signal Contacts

### BODY STYLE

- 2 Receptacle
- 4 Receptacle with Ground Fingers (Preferred)

### WIRE TYPE & GAUGE - HIGH SPEED

- X See Wire Code Page for High Speed Cable

### WIRE TYPE & GAUGE - SIGNALS

- 0 No Signal Contacts
- X See Wire Code Page

### WIRE TYPE & GAUGE - SIGNALS

Wire Length in Inches - (Uses 3 digits)  
(Example: 018 = 18 Inches) Minimum 3 Inches

### BODY PLATING (LCP INSULATORS)

- 1 Electroless Nickel Plated Aluminum Shell - RoHS Compliant
- 2 Electroless Nickel Plated Aluminum Shell
- 3 Electrodeposited Cadmium Plated Aluminum Shell
- 5 Gold Plated Aluminum Shell - RoHS Compliant
- 6 Gold Plated Aluminum Shell

### HARDWARE

- 000 No Hardware
- 620 Two Fixed Jacknuts - Captivated \*\*
- 810 Two Turning Jackscrews, Allen Head, Captivated \*\*
- NXX Keying Jackpost Hardware, See Options \*\*\*
- JXX Keying Jackscrew Hardware, See Options \*\*\*