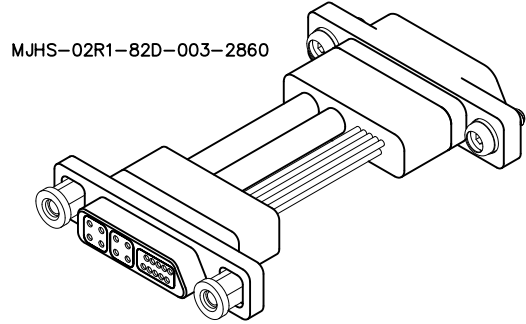




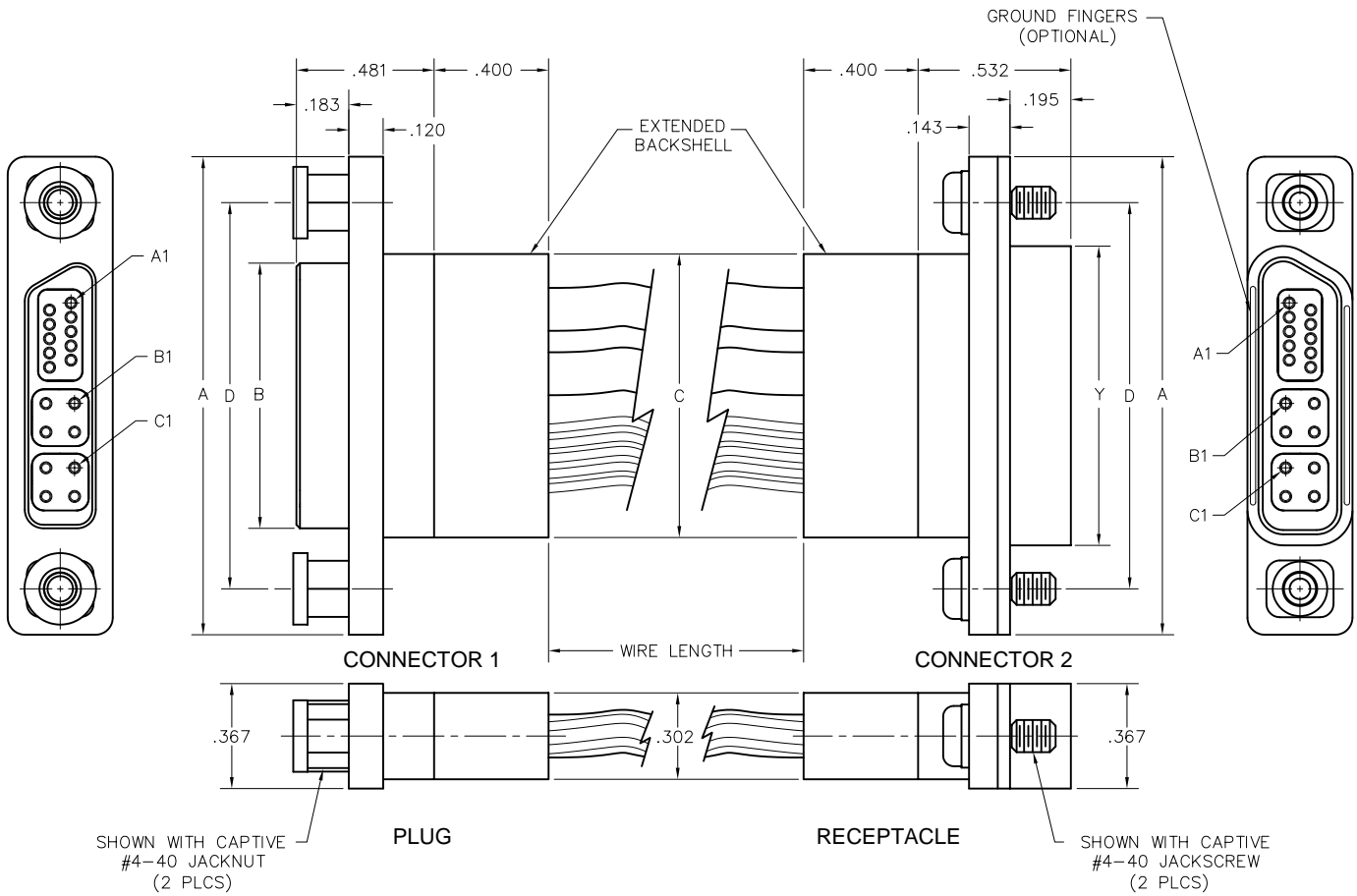
Rugged Jumper Cable

1 thru 10 High Speed Modules
0 thru 50 Signal Contacts

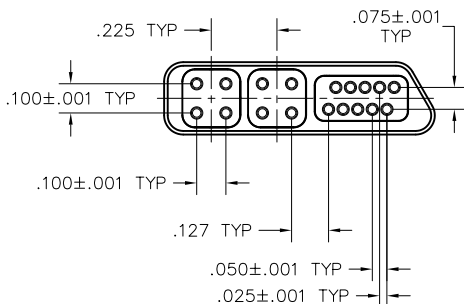
MJHS



MJHS-02R1-82D-003-2860



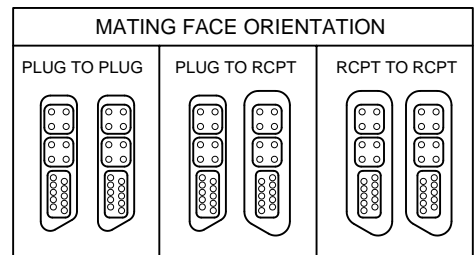
INTERFACE DIMENSIONS

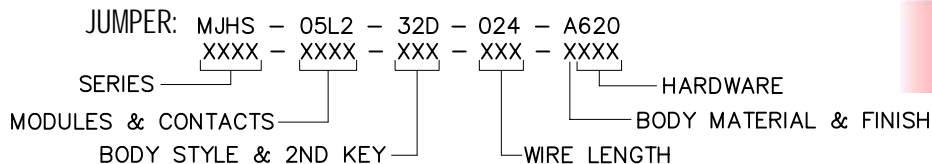


DIMENSIONS

	DIMENSIONS
A	BODY LENGTH PER TABLE CALCULATION (SEE PAGE 6)
B	"A" MINUS 0.744
C	"A" MINUS 0.680
D	"A" MINUS 0.320
Y	"A" MINUS 0.624

MATING FACE ORIENTATION





SERIES

MJHS HIGH SPEED Rugged Metal Jumper Assembly
 (MJHS mates with MKHS, MLHS, and MMHS connectors)

HIGH SPEED MODULES

- | | |
|---|---|
| 01 1 High Speed Module | 06 6 High Speed Modules (Max Signal Count 30) |
| 02 2 High Speed Modules | 07 7 High Speed Modules (Max Signal Count 20) |
| 03 3 High Speed Modules | 08 8 High Speed Modules (Max Signal Count 10) |
| 04 4 High Speed Modules | 09 9 High Speed Modules (Max Signal Count 10) |
| 05 5 High Speed Modules (Max Signal Count 40) | 0A 10 High Speed Modules (No Signals) |

SIGNAL CONTACTS*

- | | |
|---------------------------------------|--|
| L0 Left Side Key - No Signal Contacts | R0 Right Side Key - No Signal Contacts |
| L1 Left Side Key - 10 Signal Contacts | R1 Right Side Key - 10 Signal Contacts |
| L2 Left Side Key - 20 Signal Contacts | R2 Right Side Key - 20 Signal Contacts |
| L3 Left Side Key - 30 Signal Contacts | R3 Right Side Key - 30 Signal Contacts |
| L4 Left Side Key - 40 Signal Contacts | R4 Right Side Key - 40 Signal Contacts |
| L5 Left Side Key - 50 Signal Contacts | R5 Right Side Key - 50 Signal Contacts |

BODY STYLE AND 2ND CONNECTOR KEY

- 1 Plug to Plug - Left Side Key
- 2 Plug to Receptacle - Left Side Key
- 3 Plug to Receptacle with Ground Fingers - Left Side Key
- 4 Receptacle to Receptacle - Left Side Key
- 5 Receptacle to Receptacle, both with Ground Fingers - Left Side Key
- 6 Plug to Plug - Right Side Key
- 7 Plug to Receptacle - Right Side Key
- 8 Plug to Receptacle with Ground Fingers - Right Side Key
- 9 Receptacle to Receptacle - Right Side Key
- A Receptacle to Receptacle, both with Ground Fingers - Right Side Key

For best performance, Receptacles with Ground Fingers are preferred

WIRE TYPE & GAUGE - HIGH SPEED

- X See Wire Code Page for High Speed Cable

WIRE TYPE & GAUGE - SIGNALS

- 0 No Signal Contacts
 X See Wire Code Page

WIRE TYPE & GAUGE - SIGNALS

Wire Length in Inches - (Uses 3 digits)
 (Example: 018 = 18 Inches) Minimum 3 Inches

BODY PLATING (LCP INSULATORS)

- 1 Electroless Nickel Plated Aluminum Shell - RoHS Compliant
- 2 Electroless Nickel Plated Aluminum Shell
- 3 Electrodeposited Cadmium Plated Aluminum Shell
- 5 Gold Plated Aluminum Shell - RoHS Compliant
- 6 Gold Plated Aluminum Shell

HARDWARE

- 000 No Hardware
 620 Two Fixed Jacknuts - Captivated ** - Both Connectors
 810 Two Turning Jackscrews, Allen Head - Captivated ** - Both Connectors
 860 Two Fixed Jacknuts - Captivated ** - Two Turning Jackscrews, Allen Head - Captivated **
 (Jacknuts on Receptacle for Body Styles 2, 3, 7, & 8)
 870 Two Fixed Jacknuts - Captivated ** - Two Turning Jackscrews, Allen Head - Captivated **
 (Jacknuts on Plug for Body Styles 2, 3, 7, & 8)
 NXX Keying Jackpost Hardware, See Options *** - Both Connectors
 JXX Keying Jackscrew Hardware, See Options *** - Both Connectors
 AXX Two Keying Jacknuts *** - Two Keying Jackscrews ***
 (Jacknuts on Receptacle for Body Styles 2, 3, 7, & 8)
 BXX Two Keying Jacknuts *** - Two Keying Jackscrews ***
 (Jacknuts on Plug for Body Styles 2, 3, 7, & 8)

NOTES:

1. All high-speed receptacles have fluoropolymer interfacial seals.
- = Option not RoHS compliant in plating and/or internal terminations.
- * = Left and right key is determined by looking at the PLUG interface with the LONG SIDE downward. The key is the angled side of the interface.
- ** = Captivated hardware is factory installed and non-removable.
- *** = Refer to catalog Page 29 for keying options.