



INSTRUCTIONS FOR AIRBORN, INC.  
WTK SERIES CONTACT INSERTION AND REMOVAL TOOL

CONTACT INSERTION

1. Place tool around wire attached to contact and slide tool tips down wire until tips butt against rear shoulder of contact. See figure 1.
2. Grip tool and exert pressure with fingers in direction indicated by pressure arrows on figure 2. This action holds tool tips firmly against contact shoulder and assures tool, contact, and wire will act as a unit.
3. Maintaining pressure, insert tool, contact, and wire as a unit into the connector hole until it is fully seated. See figure 2 To avoid damage to the tool, connector, and/or contact, do not tip, spread or rotate tool inside of connector.
4. Relax pressure and slide tool back along wire insulation until it clears the connector; remove tool from wire. Hold wire forward while tool is being removed. This prevents tool from dragging contact. Figure 2 illustrates a contact properly positioned after tool removal.

CONTACT REMOVAL

1. Place tool around wire attached to contact to be removed.
2. Move tool along wire until tips enter connector.
3. Exert a firm but gentle and continuing pressure on tool until tips stop against contact shoulder. See figure 3. To avoid damage to tool, connector, and/or contact, do not tip, spread or rotate tool while in connector.
4. At this stage of removal, tip of the tool will have pushed the retention tabs back into the retention clip.
5. Grip tool and wire as shown on figure 4, exerting pressure as indicated by pressure arrows. This holds tips firmly against contact shoulder and produces a unit of tool, contact, and wire.
6. Maintaining pressure as in Step 5, withdraw tool, contact and wire simultaneously and as a unit. See figure 4.

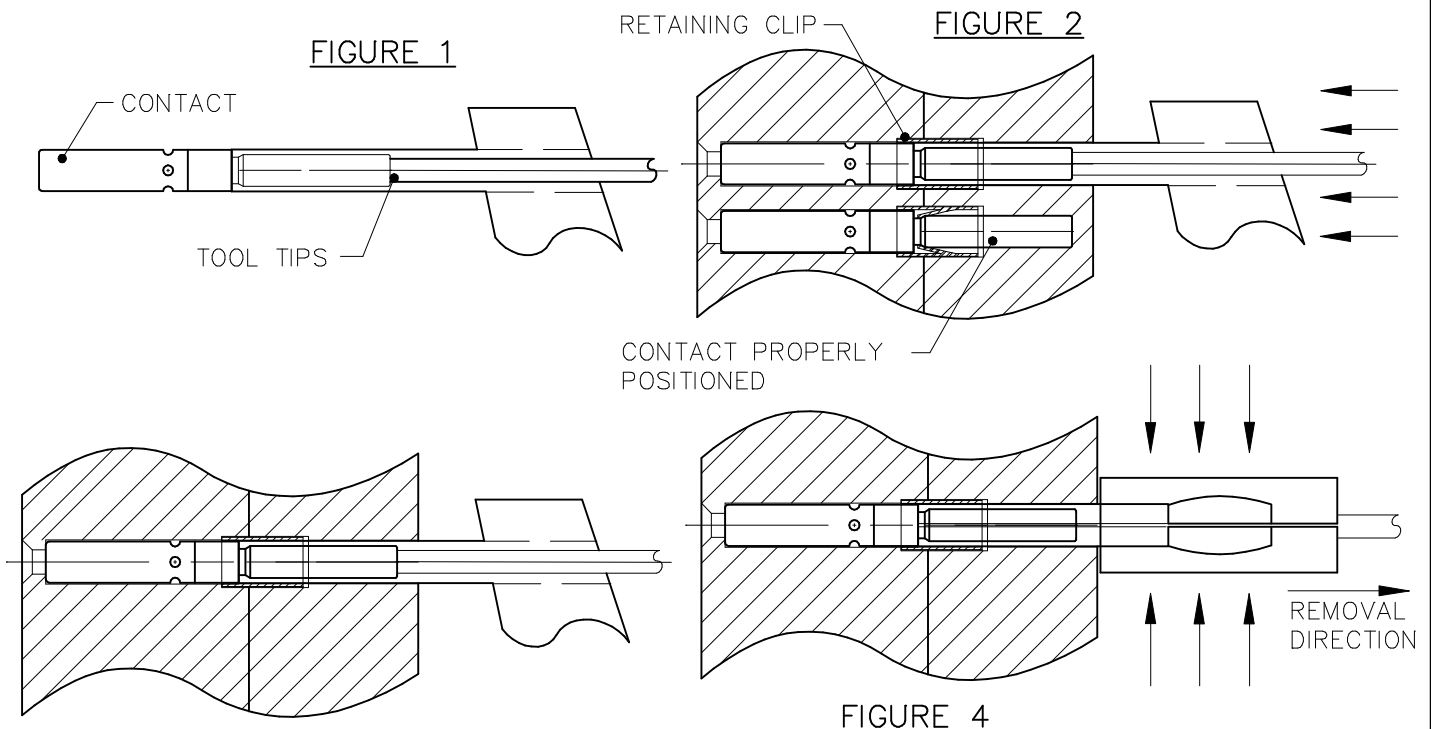


FIGURE 3

RELATED PROCEDURES	NOTICE: ALL INFORMATION DISCLOSED BY THIS DOCUMENT IS CONSIDERED CONFIDENTIAL AND PROPRIETARY BY AIRBORN INC. ALL DESIGN, USE, MANUFACTURE, REPRODUCTION, AND SALES RIGHTS ARE RESERVED BY AIRBORN INCORPORATED.				DR.	BSS	092294
					CK.	DLH	092394
					ENGR.	DLH	092394
					MKT.	PR	092994
	~	INITIAL RELEASE	DLH	092394	QA	JTD	092994
SYM	REVISION	BY	APPR.	DATE	SCALE	N/A	DATE

**AirBorn, Inc.**  
ADDISON, TEXAS

CAGE CODE 10400

TITLE WTK SERIES CONTACT INSERTION AND REMOVAL TOOL

SIZE A DWG.NO. PTB23

REV. SHEET 1 of 1

DWG. PTB23