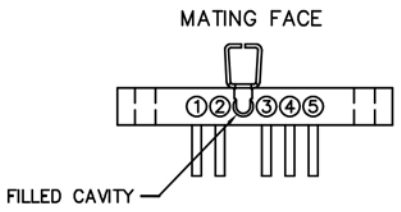
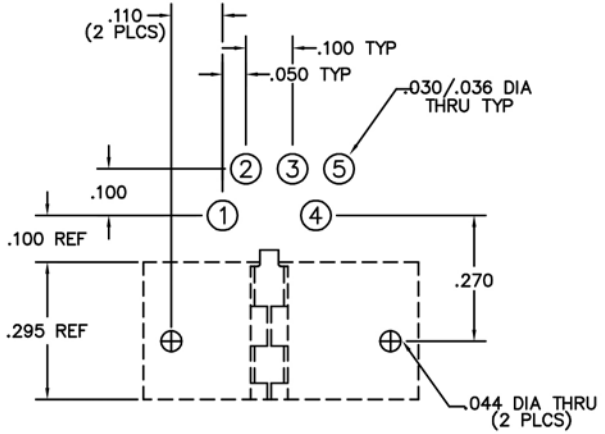


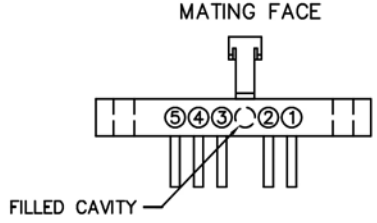
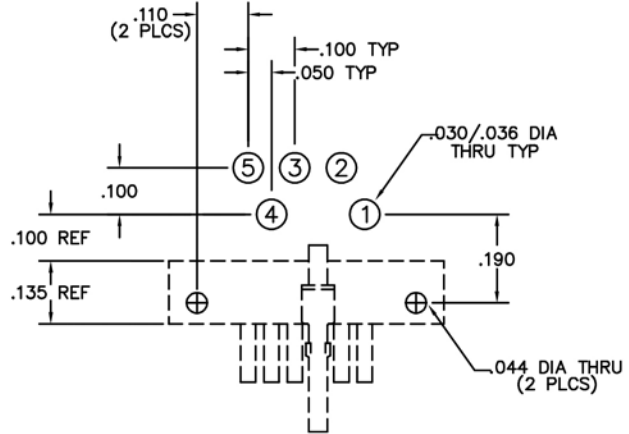


**Board mount connectors, right angle offset (.100") with mounting holes.
Side mount latch, centered.**

(5 electrical positions, 1 mechanical positions)



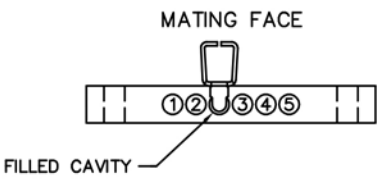
PLUG
MA-171-005-325-A0300



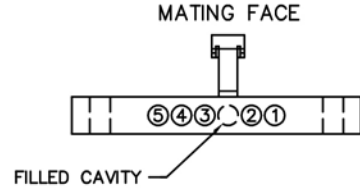
RECEPTACLE
MA-181-005-435-A0300

**Crimped wire connectors, straight with mounting holes.
Side mount latch, centered.**

(5 electrical positions, 1 mechanical positions)



PLUG
MA-111-005-161-A03WA



RECEPTACLE
MA-121-005-261-A03WA

WIRE CONNECT CHART

- 1 — BLK
- 2 — BRN
- 3 — RED
- 4 — ORN
- 5 — YEL