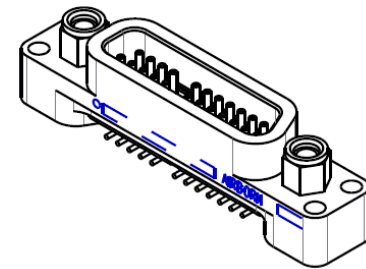
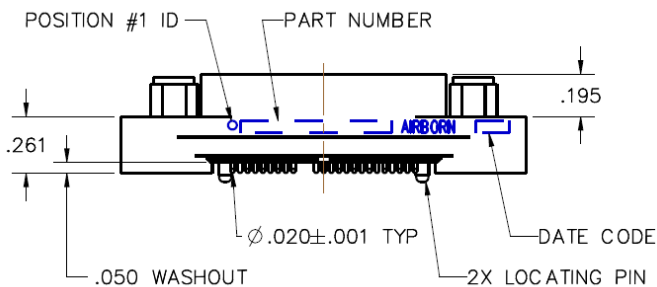
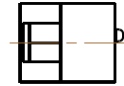
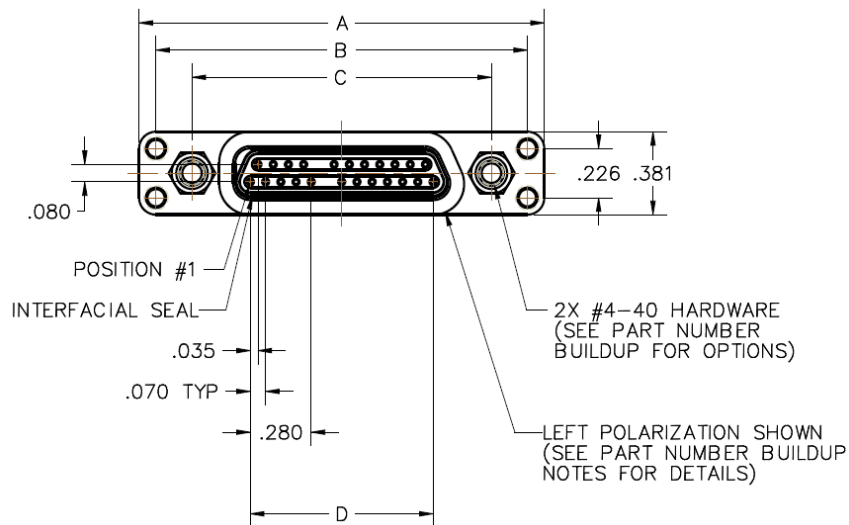
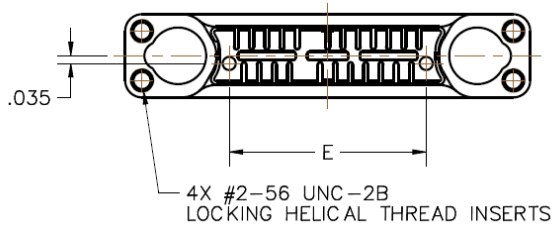


MLS DIMENSIONS (RECEPTACLE)



ISOMETRIC VIEW
MLS-01L-2000-475-2620
FOR REFERENCE ONLY



SIZE	A	B	C	D	E
1x	1.863	1.708	1.377	.840	.906
4x	2.493	2.338	2.007	1.470	1.536
8x	3.333	3.178	2.847	2.310	2.376

1. A LEFT plug mates with a LEFT receptacle.
2. A RIGHT plug mates with a RIGHT receptacle.
3. Left-polarization connectors will not mate with right-polarization connectors.
4. See "Polarized Interface Pinouts" on page 59
5. See "Keying Hardware Options" on page 61