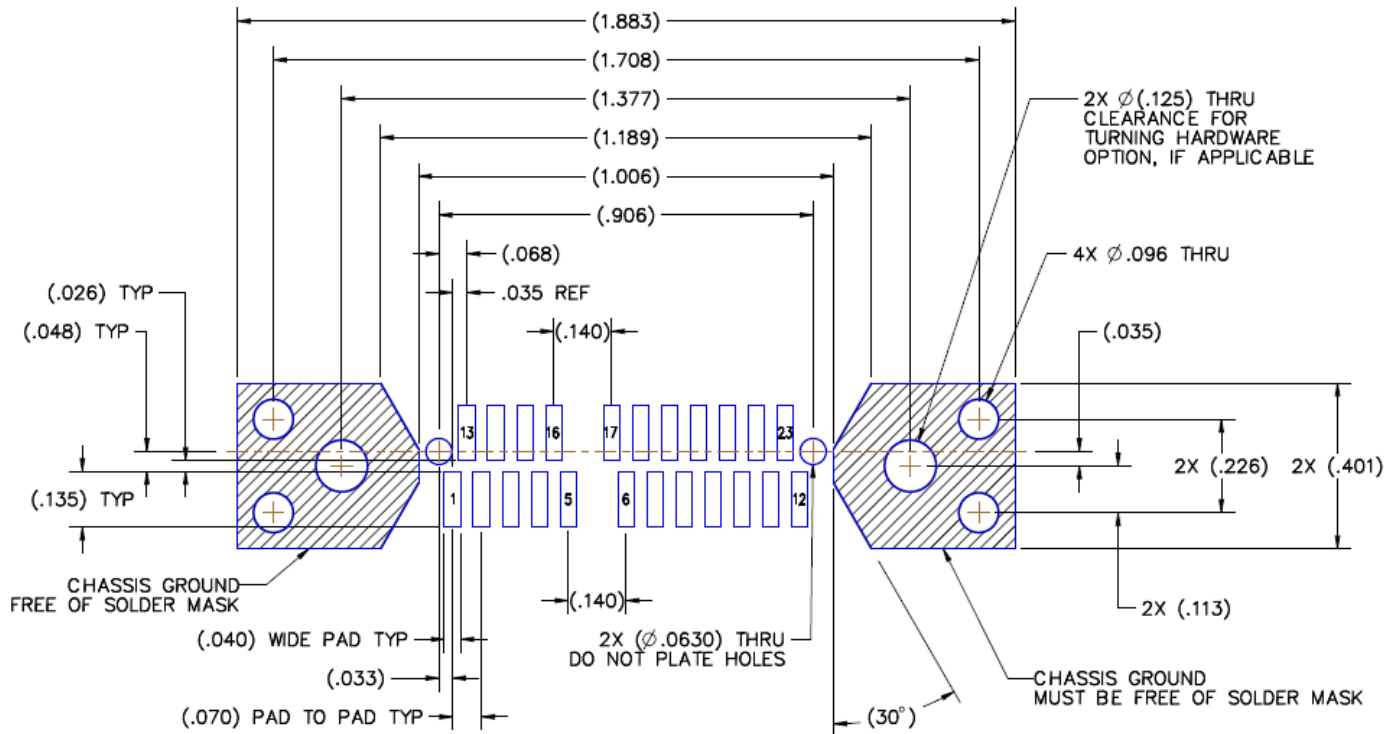


MLSI RECOMMENDED PC BOARD LAYOUT (RECEPTACLE)

1X Sample with Left Polarization



NOTE: ALL PADS MUST BE FREE OF SOLDER MASK

1. A LEFT plug mates with a LEFT receptacle.
2. A RIGHT plug mates with a RIGHT receptacle.
3. Left-polarization connectors will not mate with right-polarization connectors.
4. See "Polarized Interface Pinouts" on page 59
5. See "Keying Hardware Options" on page 61