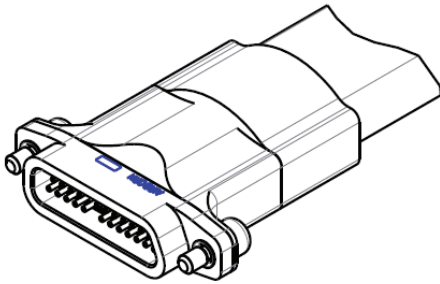
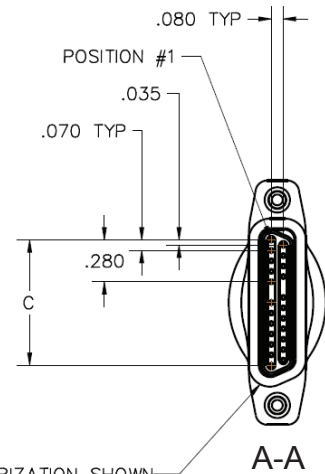


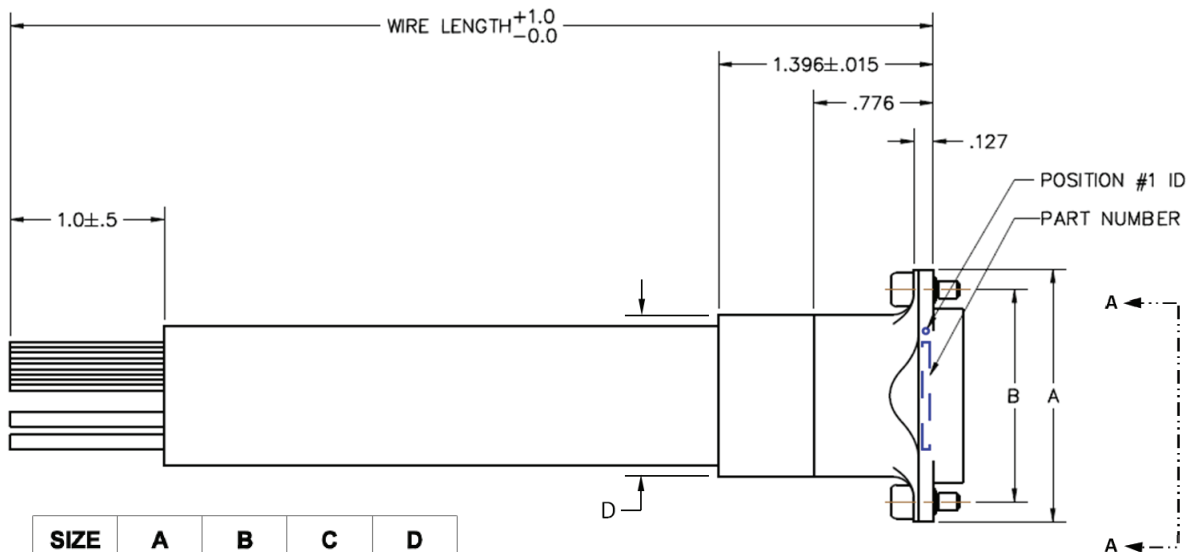
## MMSI DIMENSIONS with HALAR® SLEEVE (RECEPTACLE)



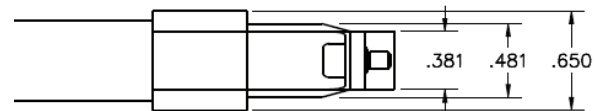
ISOMETRIC VIEW OF RCPT END  
MMSI-01L-24B3-006-2810  
FOR REFERENCE ONLY



LEFT POLARIZATION SHOWN  
(SEE PART NUMBER BUILDUP  
NOTES FOR DETAILS)



SIZE	A	B	C	D
<b>1x</b>	1.636	1.377	.840	1.053
<b>4x</b>	2.266	2.007	1.470	1.683
<b>8x</b>	3.106	2.847	2.310	2.523



1. See previous page for cable without braid or Halar®
2. Plug to receptacle jumper shown. See Part Number Buildup for available options.
3. See "Polarized Interface Pinouts" on page 59
4. See "Keying Hardware Options" on page 61