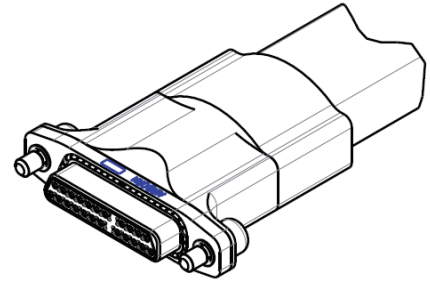
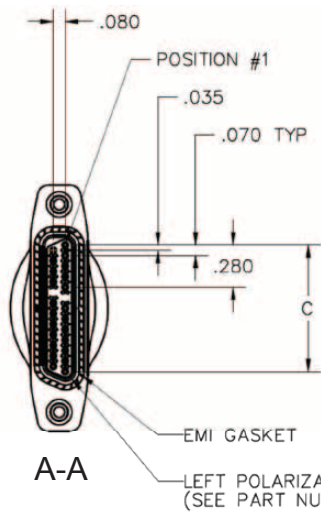
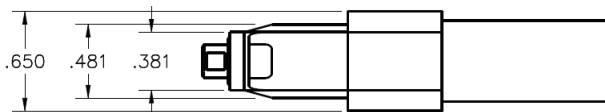
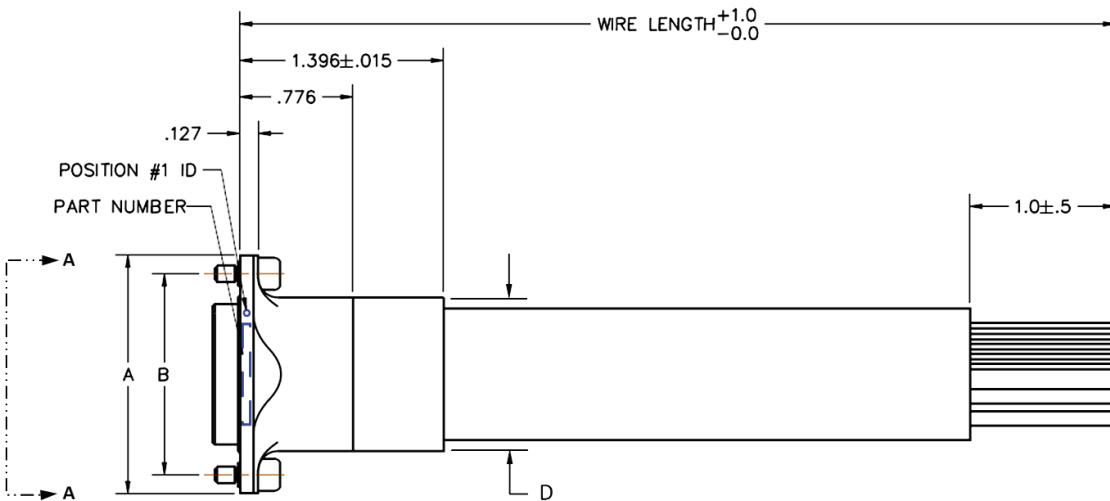


MMSI DIMENSIONS with HALAR® SLEEVE (PLUG)



ISOMETRIC VIEW OF PLUG END
MMSI-01L-14B3-006-2810
FOR REFERENCE ONLY



SIZE	A	B	C	D
1x	1.636	1.377	.840	1.053
4x	2.266	2.007	1.470	1.683
8x	3.106	2.847	2.310	2.523

1. See previous page for cable without braid or Halar®
2. Plug to receptacle jumper shown. See Part Number Buildup for available options.
3. See "Polarized Interface Pinouts" on page 59
4. See "Keying Hardware Options" on page 61