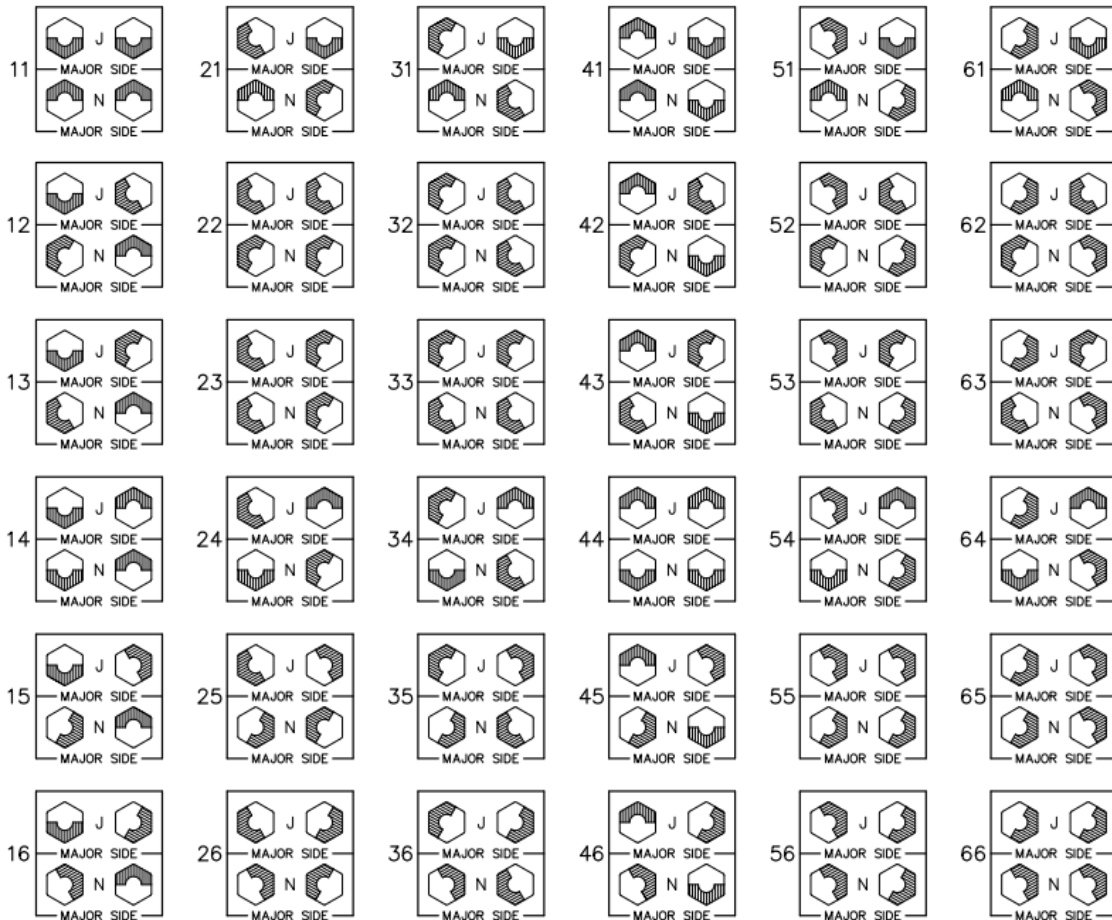




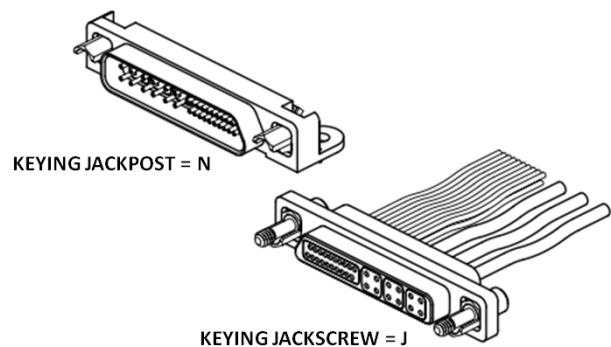
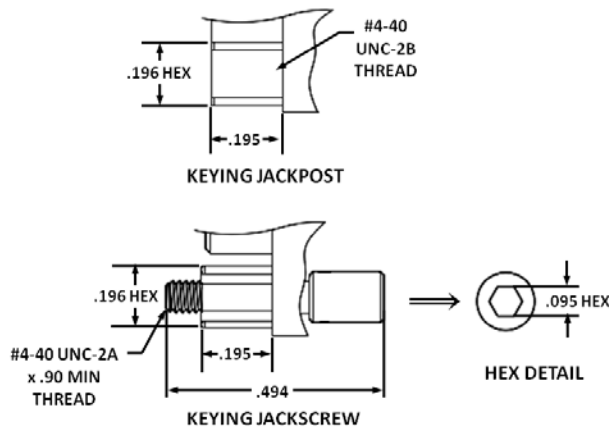
HARDWARE KEYING OPTIONS

microQUAD



Select the appropriate two-digit number above and include as the last two digits of the hardware code in the part number. (Keying is factory-installed and non-removable.)

Example: MMHS-03L2-12D-197-2J11
 MKHS-03R2-200-275-2N11



PLEASE CONSULT THE AIRBORN WEBSITE FOR THE LATEST REVISION OF THIS DOCUMENT PRIOR TO BEGINNING ANY DESIGN WORK.