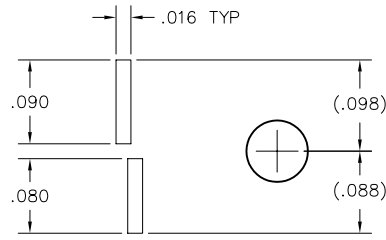


CONNECTOR MATING FACE



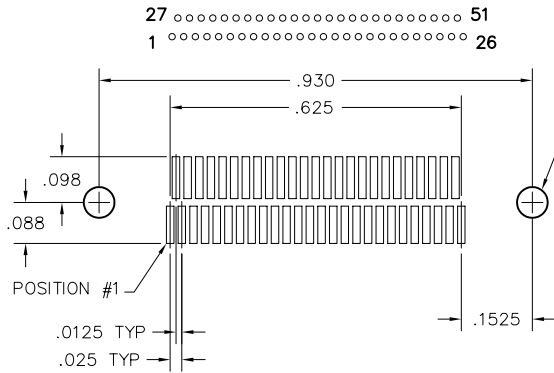
FOOTPRINT / PAD CONFIGURATION



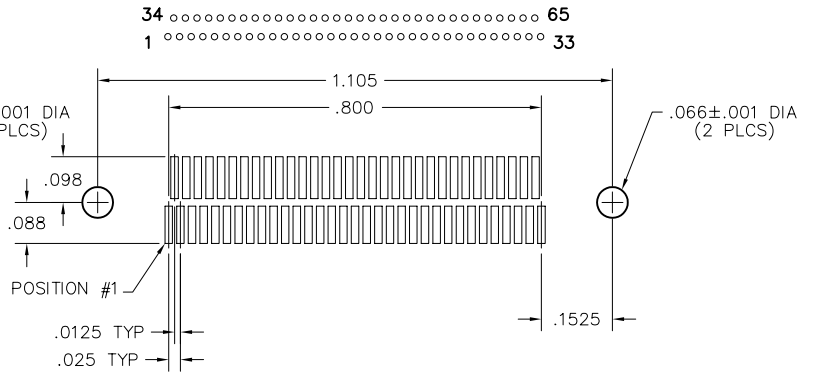
# Recommended PC Board Layout

Vertical SMT Rcpt  
FOR REFERENCE ONLY

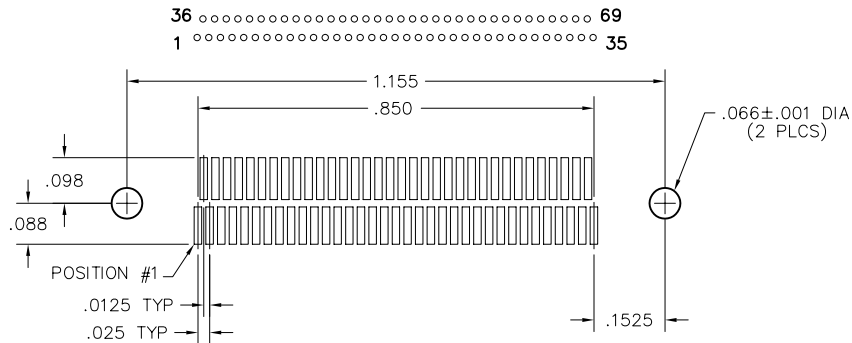
## 51 POSITION



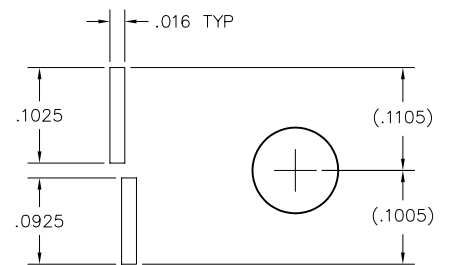
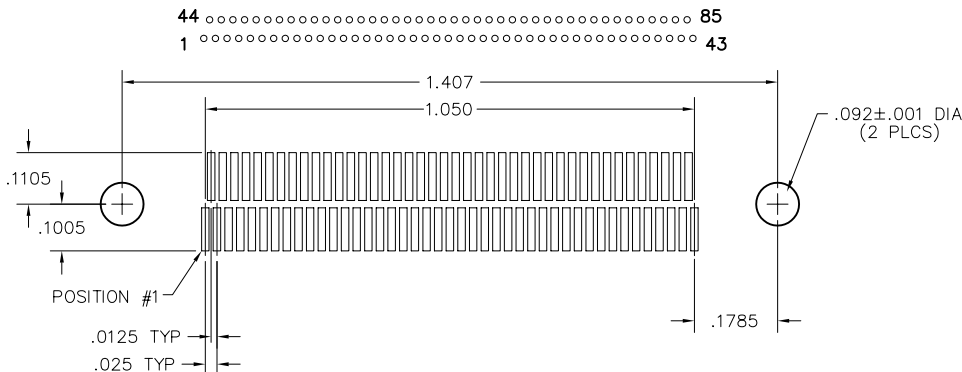
## 65 POSITION



## 69 POSITION



## 85 POSITION



FOOTPRINT / PAD CONFIGURATION