

2 • ROW

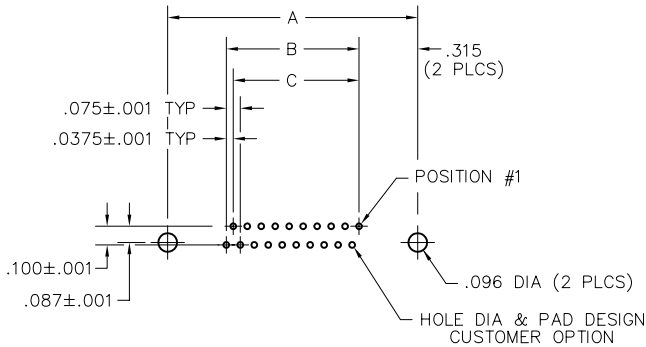
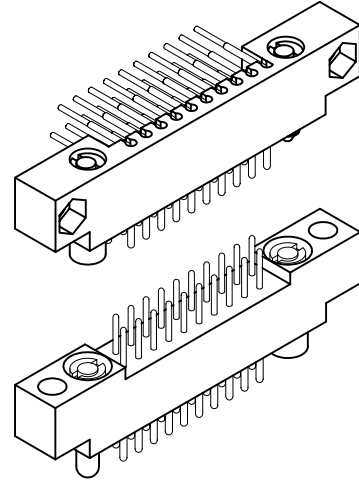
Right Angle PTH Plug Straight PTH Plug

.075"

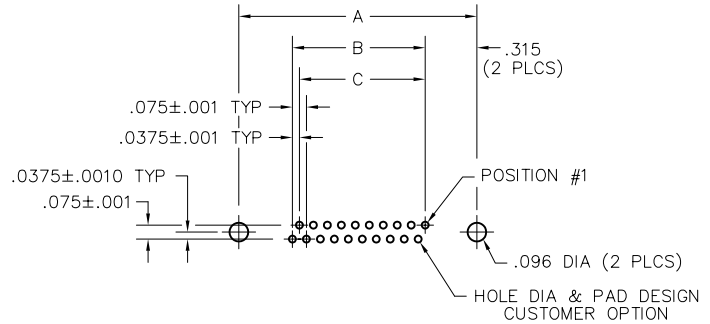
RM2

10 thru 100 Contacts
Recommended
Board Layout

DIMENSIONS			
SIZE	A	B	C
10	.967	.337	.300
20	1.342	.712	.675
30	1.717	1.087	1.050
40	2.092	1.462	1.425
50	2.467	1.837	1.800
60	2.842	2.212	2.175
70	3.217	2.587	2.550
80	3.592	2.962	2.925
90	3.967	3.337	3.300
100	4.342	3.712	3.675



RIGHT ANGLE PTH PLUG
PC BOARD VIEWED FROM COMPONENT SIDE



STRAIGHT PTH PLUG
PC BOARD VIEWED FROM COMPONENT SIDE

SIZE	CONTACT ID	SIZE	CONTACT ID
10		60	
20		70	
30		80	
40		90	
50		100	