

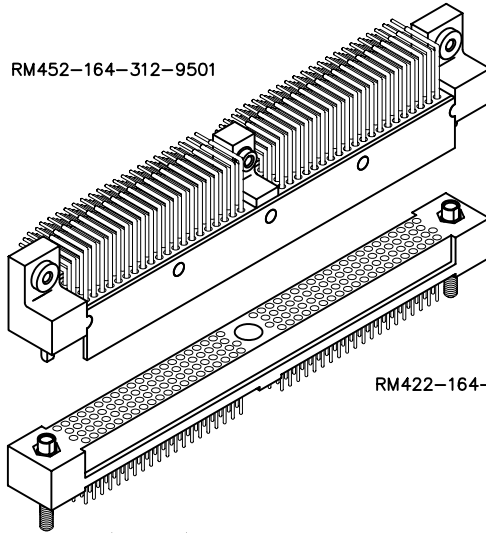


4 • ROW Daughterboard to Motherboard or Chassis

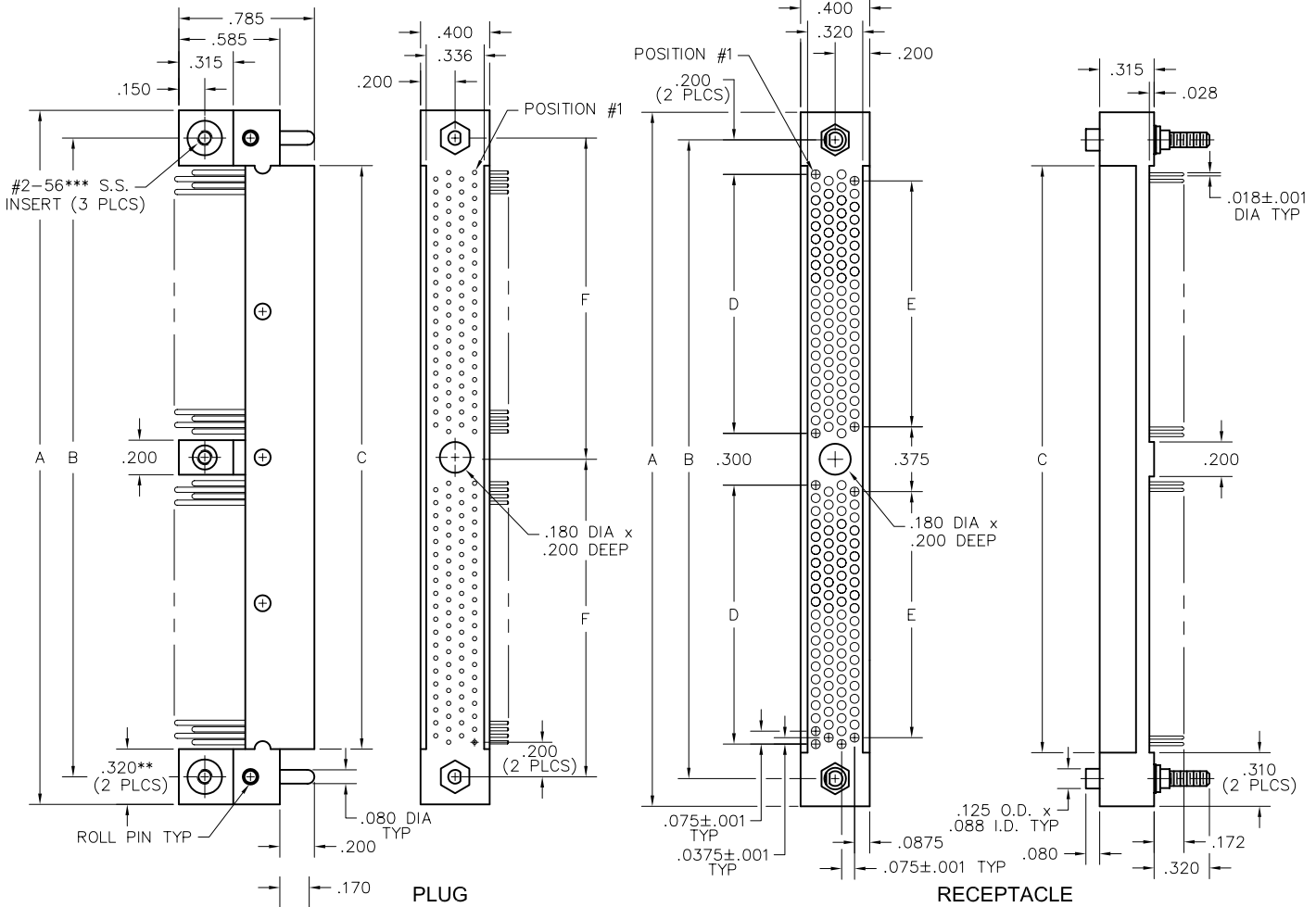
.075"

RM4

86 thru 404 Contacts

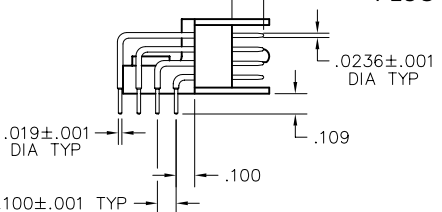


RM422-164-832-9601



PLUG

RECEPTACLE



SIZE	DIMENSIONS							
	A		B	C		D	E	F
	PLUG	RCPT		PLUG	RCPT			
86*	2.255	2.295	1.975	1.655	1.675	1.575	1.500	—
110*	2.745	2.745	2.425	2.105	2.125	2.025	1.950	—
164	4.020	4.020	3.700	3.380	3.400	1.500	1.425	1.850
196	4.620	4.620	4.300	3.980	4.000	1.800	1.725	2.150
204	4.770	4.770	4.450	4.130	4.150	1.875	1.800	2.225
220	5.070	5.070	4.750	4.430	4.450	2.025	1.950	2.375
250*	5.370	5.370	5.050	4.730	4.750	4.650	4.575	—
276	6.120	6.120	5.800	5.480	5.500	2.550	2.475	2.900
300	6.570	6.570	6.250	5.930	5.950	2.775	2.700	3.125
404	8.520	8.520	8.200	7.880	7.900	3.750	3.675	4.100

NOTES:
 * = Single section, no center mounting hole
 ** = .280" for 86 position
 *** = #4-40 for 404 position