

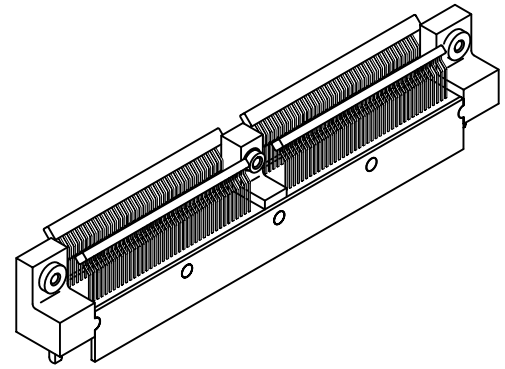
4 ROW

Straight SMT Plug

.075"

RM4

DIMENSIONS			
SIZE	A	B	C
86*	1.975	1.575	-
110*	2.425	2.025	-
164	3.700	1.500	1.850
196	4.300	1.800	2.150
204	4.450	1.875	2.225
220	4.750	2.025	2.375
250*	5.050	4.650	-
276	5.800	2.550	2.475
300	6.250	2.775	3.125
404	8.200	3.750	4.100

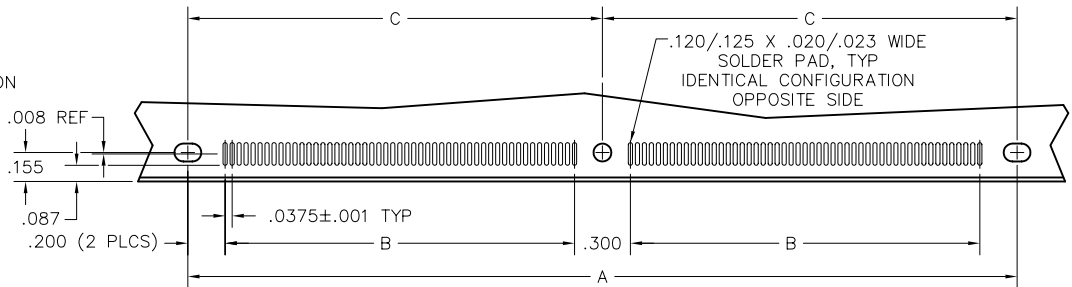
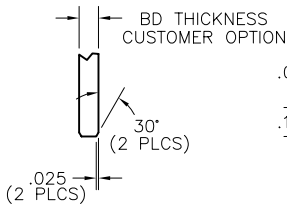


86 thru 404 Contacts

Recommended Board Layout

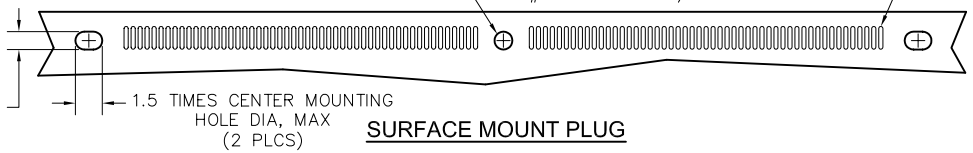
NOTES:

* = Single section, no center mounting hole



CENTER MOUNTING HOLE
FOR #2-56 USE .087/.091 DIA THRU
FOR #4-40 USE .114/.118 DIA THRU

POSITION #1



FOR #2-56 USE .087/.091 DIA THRU
FOR #4-40 USE .114/.118 DIA THRU
(2 PLCS)

SURFACE MOUNT PLUG

SIZE	CONTACT ID	SIZE	CONTACT ID
86*	C 65	220	C 166
	C 43		C 220
	C 21		C 163
	C 42		C 109
	C 20		C 54
110*	C 63	250*	C 188
	C 110		C 250
	C 27		C 187
	C 54		C 124
	C 26		C 61
164	C 124	276	C 208
	C 42		C 138
	C 82		C 276
	C 41		C 207
	C 81		C 137
196	C 148	300	C 226
	C 50		C 300
	C 98		C 225
	C 49		C 149
	C 88		C 74
204	C 154	404	C 404
	C 204		C 308
	C 51		C 307
	C 153		C 40
	C 203		C 305