



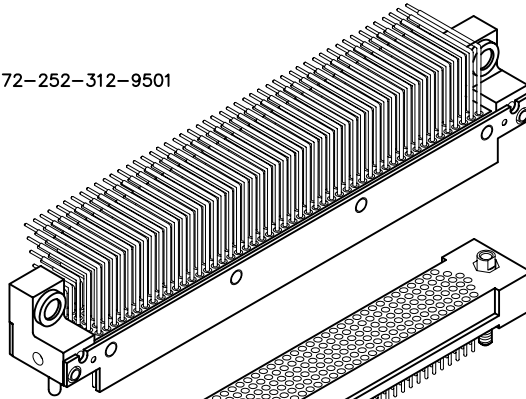
6 · ROW Daughterboard to Motherboard or Chassis

.075"

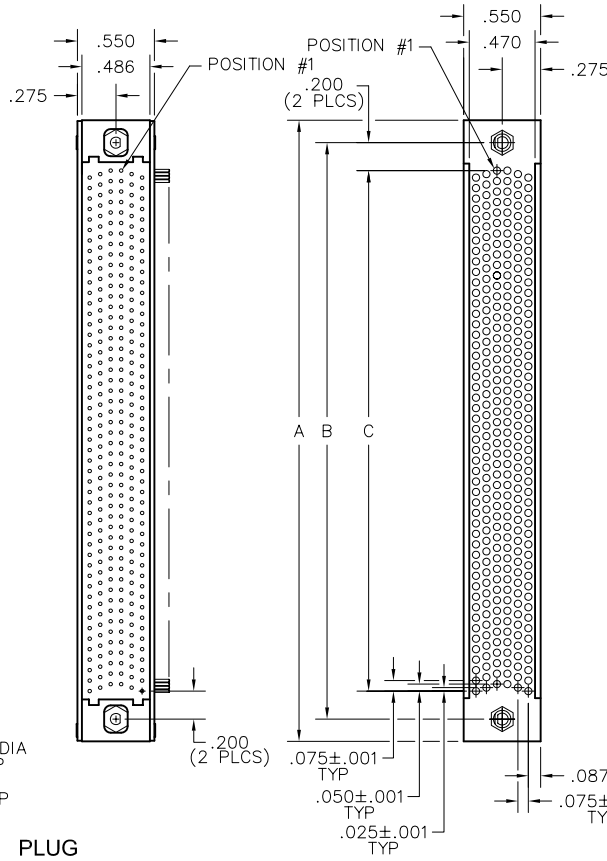
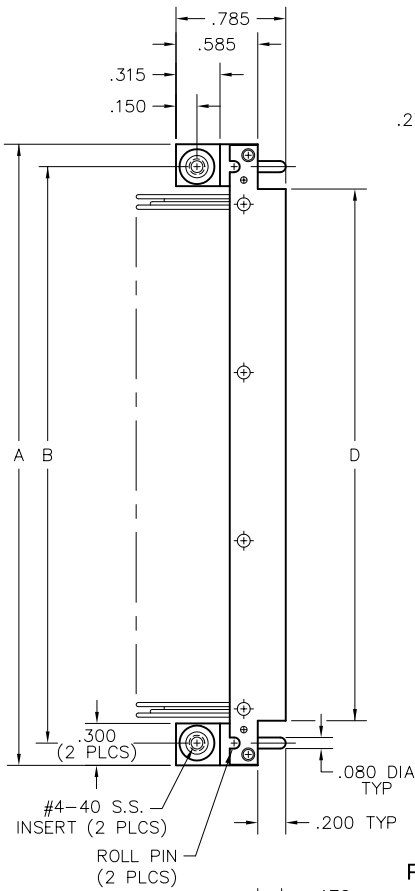
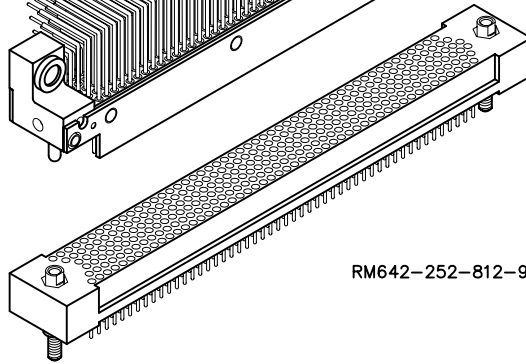
RM6

162 thru 402 Contacts

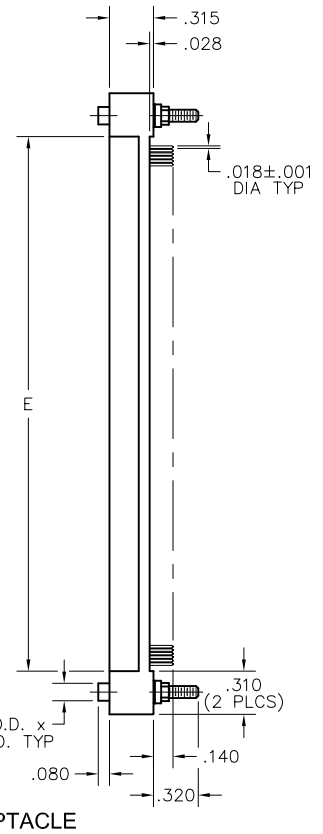
RM672-252-312-9501



RM642-252-812-9601



PLUG



RECEPTACLE

DIMENSIONS					
SIZE	A	B	C	D	E
162	2.720	2.400	2.000	2.080	2.100
204	3.245	2.925	2.525	2.605	2.625
252	3.845	3.525	3.125	3.205	3.225
300	4.445	4.125	3.725	3.805	3.825
360	5.195	4.875	4.475	4.550	4.575
402	5.720	5.400	5.000	5.080	5.100