

6 • ROW

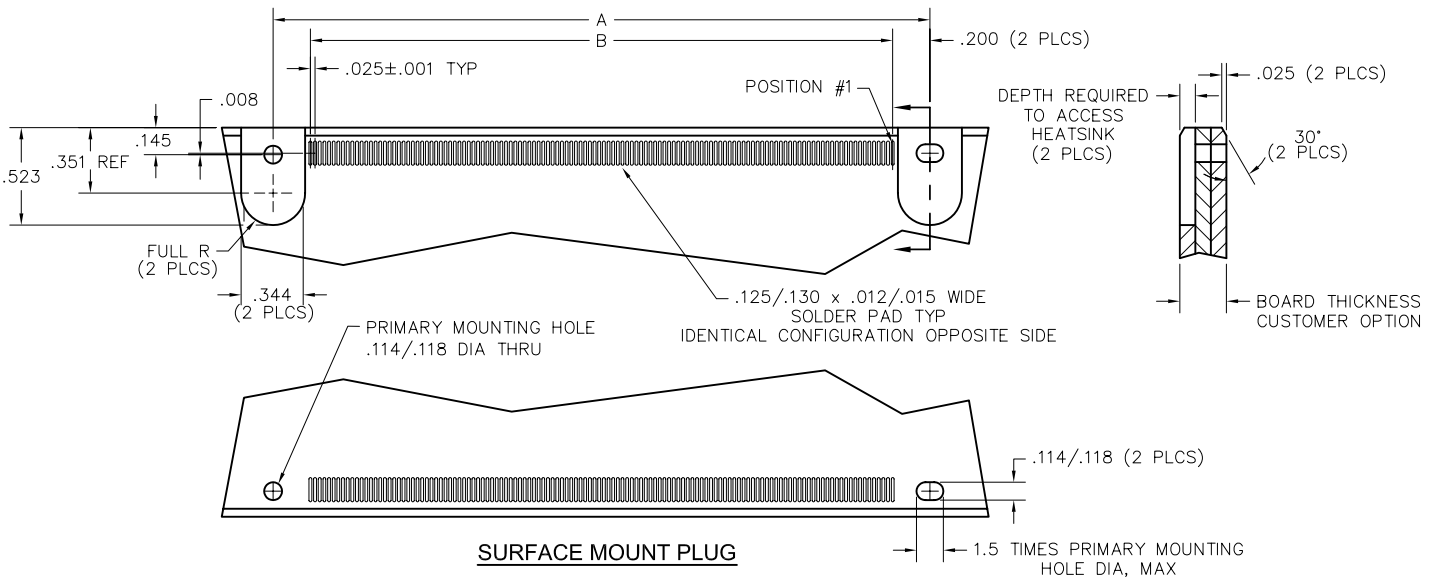
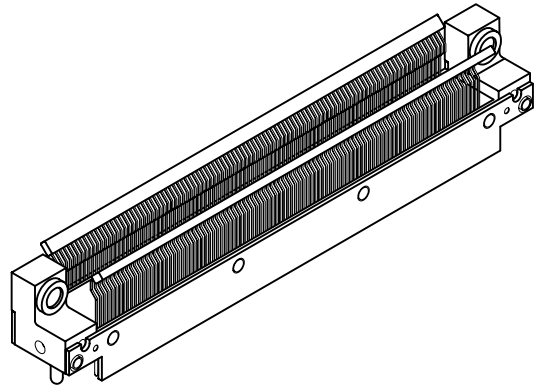
Straight SMT Plug

.075"

RM6

162 thru 402 Contacts
Recommended Board Layout

| DIMENSIONS | | |
|------------|-------|-------|
| SIZE | A | B |
| 162 | 2.400 | 2.000 |
| 204 | 2.925 | 2.525 |
| 252 | 3.525 | 3.125 |
| 300 | 4.125 | 3.725 |
| 360 | 4.875 | 4.475 |
| 402 | 5.400 | 5.000 |



| SIZE | CONTACT ID | SIZE | CONTACT ID |
|------|------------|------|------------|
| 162 | C162 | 300 | C300 |
| | C161 | | C299 |
| | C160 | | C149 |
| | C159 | | C148 |
| C78 | C77 | C147 | C297 |
| C86 | C85 | C146 | C296 |
| C84 | C83 | C5 | C155 |
| C82 | C81 | C4 | C154 |
| | | C3 | C153 |
| | | C2 | C152 |
| | | C1 | C151 |
| 204 | C204 | 360 | C360 |
| | C203 | | C359 |
| | C202 | | C185 |
| | C201 | | C184 |
| C102 | C99 | C183 | C182 |
| C101 | C98 | C181 | C180 |
| C5 | C4 | C5 | C4 |
| C107 | C106 | C3 | C3 |
| C105 | C104 | C2 | C2 |
| C103 | C102 | C1 | C1 |
| 252 | C252 | 402 | C402 |
| | C251 | | C401 |
| | C250 | | C206 |
| | C249 | | C205 |
| C248 | C123 | C204 | C203 |
| C122 | C121 | C202 | C201 |
| C5 | C4 | C5 | C4 |
| C131 | C130 | C3 | C3 |
| C129 | C128 | C2 | C2 |
| C127 | C126 | C1 | C1 |
| | | C200 | C199 |
| | | C198 | C399 |
| | | C197 | C398 |