

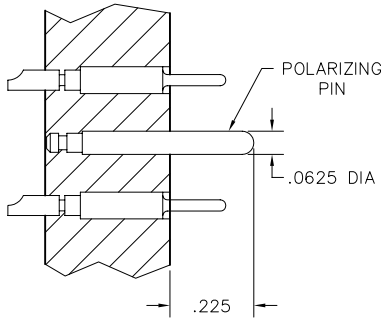
Polarization

Polarizing Pin Applications

PIN CONTACT

—STRAIGHT THRU—
CONNECTOR BODY

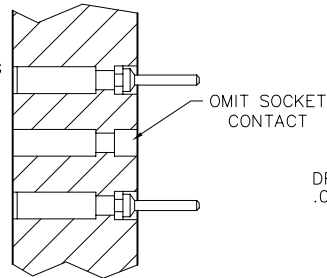
WT, WTA
WTAV, WTBV



WTA**PCJTA443-1, -2...

SOCKET CONTACT

WT, WTA, WTAX,
WTB, WTBX

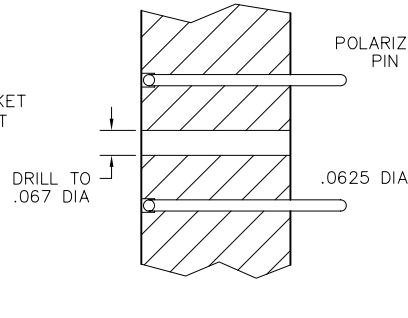


WTA**SAD9JL444-1, -2...

PIN CONTACT

—RIGHT ANGLE—
CONNECTOR BODY

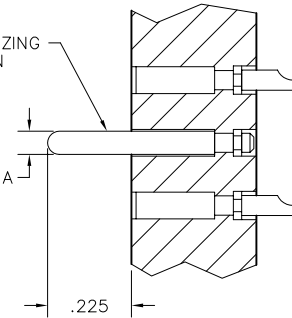
WG, WGA, WGE,
WT, WTB



WTB**PR7SY515-1, -2...

SOCKET CONTACT

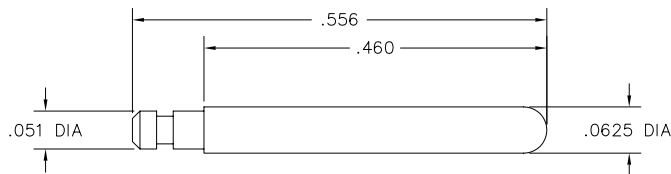
WG, WGA, WGE,
WT, WTA, WTAX,
WTB, WTDXA, WTKA



WTB**SACSY515-1, -2...

Notes:

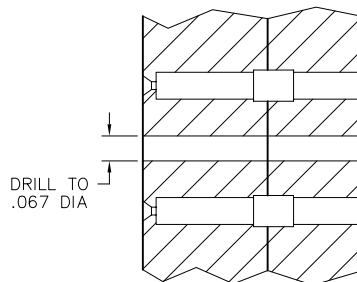
1. CODE 443 - Polarizing pin installed in contact position noted by dash number.
2. CODE 444 - Contact position noted by dash number is left open.
3. Either pin or socket contacts can be used with 443 or 444.
4. ** = connector size
5. For additional dimensions and other information, refer to catalog data sheet of specific connector.



STAINLESS STEEL
POLARIZING PIN

SOCKET CONTACT

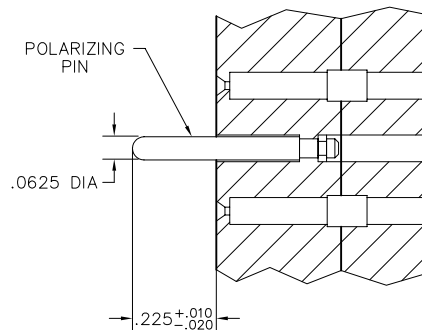
WTDXA, WTKA



WTDXA**SJT478-1, -2...
WTKA**SSY478-1, -2...

SOCKET CONTACT

WTDXA, WTKA



WTDXA**SJT515-1, -2...
WTKA**SSY515-1, -2...