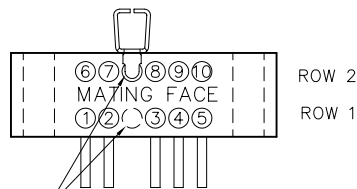
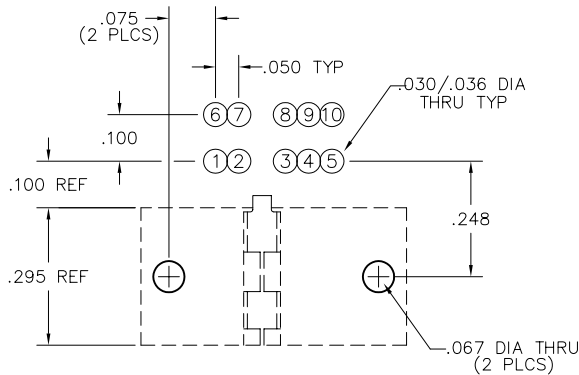


Board mount connectors, right angle inline (.100") with mounting holes Side mount latch, centered

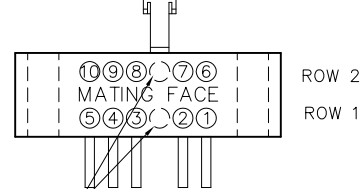
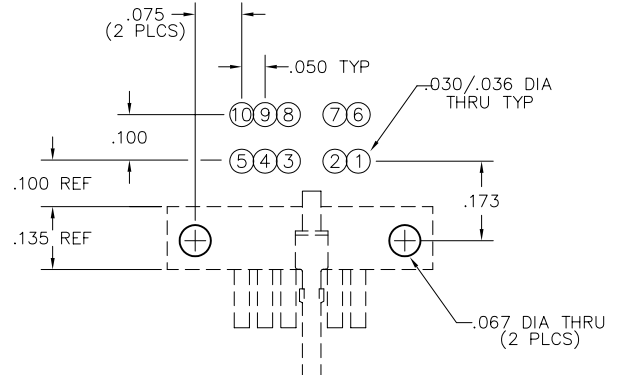
Note: Side mount latch will always be in row #2 of connector. Not recommended on row #1 for board mount applications.

(10 electrical positions, 2 mechanical positions)



FILLED CAVITY
(2 PLCS)

PLUG
MA-2D1-010-325-ABC00

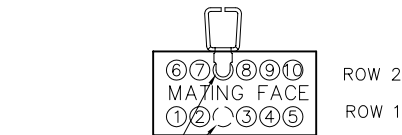


FILLED CAVITY
(2 PLCS)

RECEPTACLE
MA-2E1-010-435-ALC00

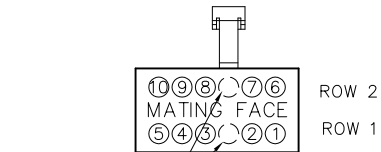
Crimped wire connectors, straight without mounting holes Side mount latch, centered

(10 electrical positions, 2 mechanical positions)



FILLED CAVITY
(2 PLCS)

PLUG
MA-231-010-161-ABCWA



FILLED CAVITY
(2 PLCS)

RECEPTACLE
MA-241-010-261-ALCWA

WIRE CONNECT CHART

1 — BLK	6 — GRN
2 — BRN	7 — BLU
3 — RED	8 — VIO
4 — ORN	9 — GRY
5 — YEL	10 — WHT