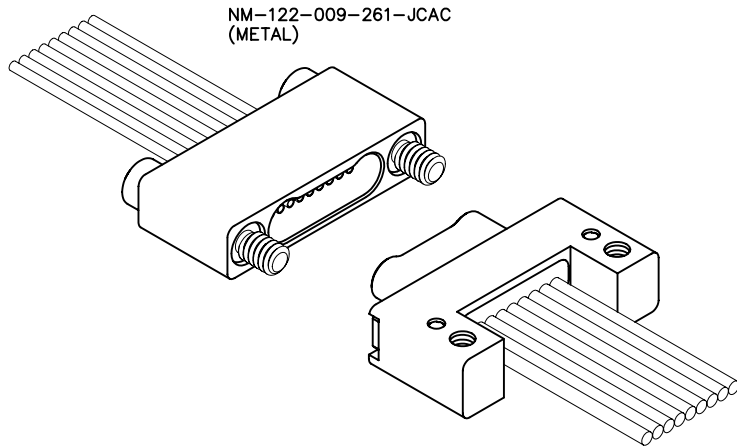


# 1 · ROW Cable to Cable

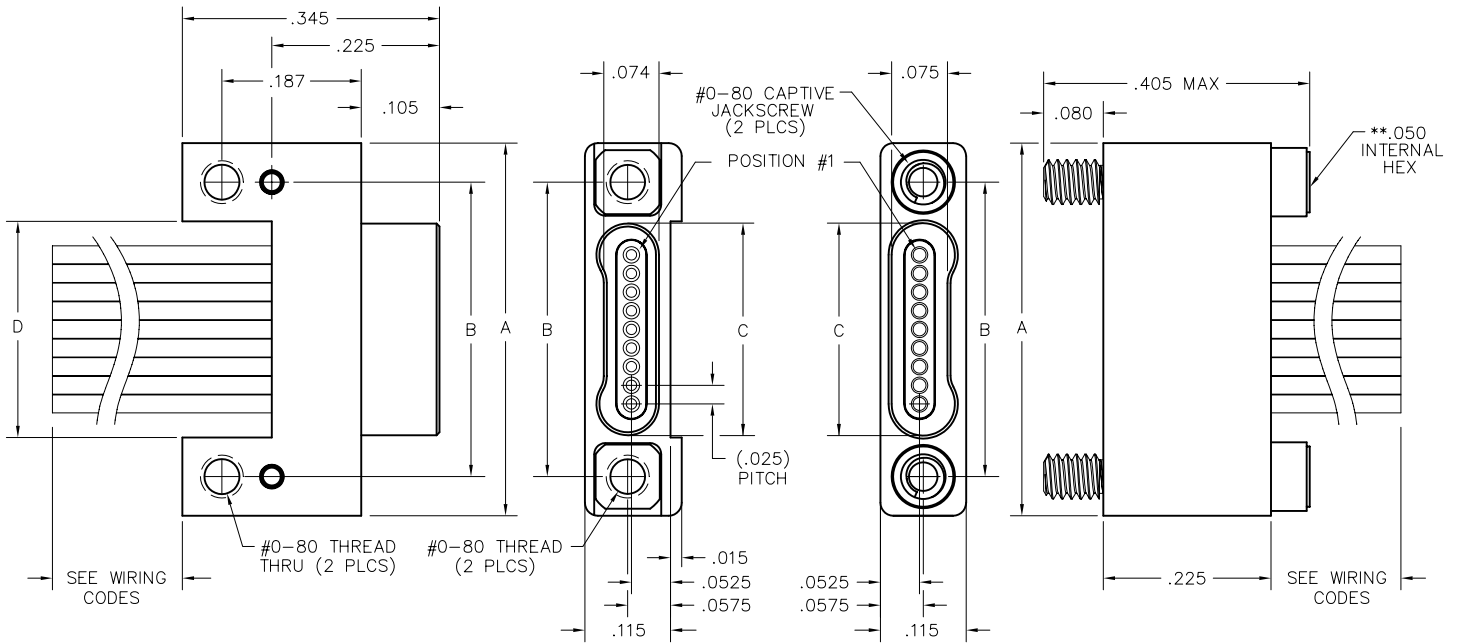
.025"

**NM, NM**

9 thru 51 Contacts

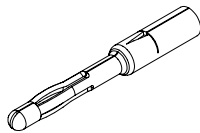


NM-132-009-161-THAC  
(METAL)



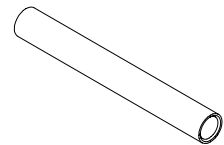
PLUG

RECEPTACLE



PIN CONTACT  
3 TINE SPRING MEMBER, CRIMP

SIZE	A	B	C		D
			PLUG	RCPT	
9	.500	.395	.284	.285	.290
15	.650	.545	.434	.435	.440
21	.800	.695	.584	.585	.590
25	.900	.795	.684	.685	.690
31	1.050	.945	.834	.835	.840
37	1.200	1.095	.984	.985	.990
51	1.550	1.445	1.334	1.335	1.340



SOCKET CONTACT  
DRAWN TUBE, CRIMP

\*\* = HEX MEASUREMENT TAKEN ACROSS THE FLATS.