

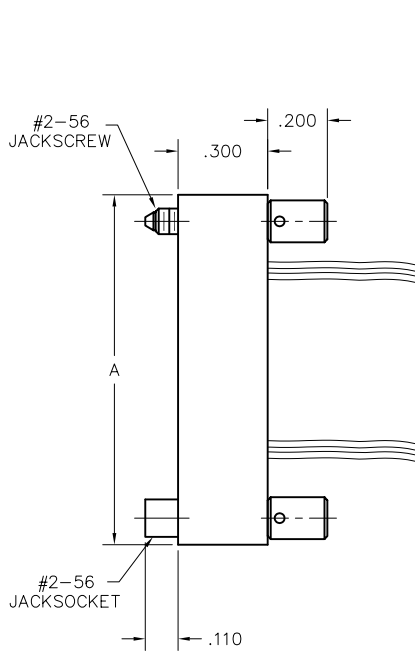
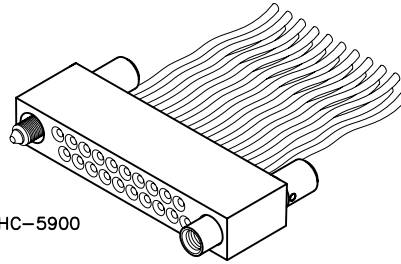
2 • ROW Crimped Wire I/O Receptacle

.075"

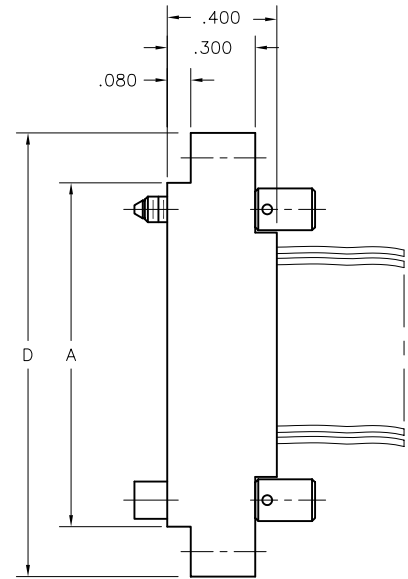
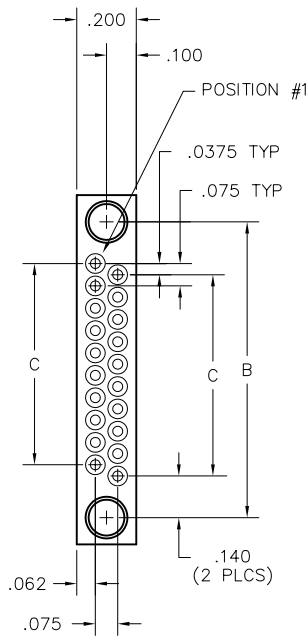
RA2

10 thru 100 Contacts

RA2H2-020-2HC-5900



RECEPTACLE WITHOUT
MOUNTING EARS OR
POTTING WELL



RECEPTACLE WITH
MOUNTING EARS AND
POTTING WELL

DIMENSIONS				
SIZE	A	B	C	D
10	.797	.617	.300	1.137
20	1.172	.992	.675	1.512
30	1.547	1.367	1.050	1.887
40	1.922	1.742	1.425	2.262
50	2.297	2.117	1.800	2.637
60	2.672	2.492	2.175	3.012
70	3.047	2.867	2.550	3.387
80	3.422	3.242	2.925	3.762
90	3.797	3.617	3.300	4.137
100	4.172	3.992	3.675	4.512

RA2 RECEPTACLE CONNECTORS MATE WITH:		
MATE	DESCRIPTION	PAGE
RM212	2 ROW STRAIGHT PLUG WITH EARS	R-11
RM232	2 ROW STRAIGHT PLUG WITHOUT EARS	R-11
RM252	2 ROW RIGHT ANGLE PLUG WITH EARS	R-13
RM272	2 ROW RIGHT ANGLE PLUG WITHOUT EARS	R-13

REPLACEMENT CONTACTS:

RA000-001-200-0000
RA000-001-400-0000

SEE PAGE R-33.4 FOR CRIMP INSTRUCTIONS, CONTACT INSERTION AND CONTACT REMOVAL TOOLS.